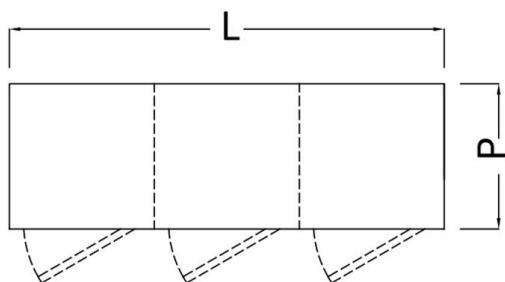




PERSONAL LOCKERS WITH 3 MODULES

Length 1050, 1200

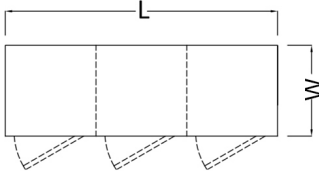
Width 350, 400



Personal locker manufactured in AISI 304 with scotch brite finish. Each space is equipped with a hinged door mounted on removable hinges, equipped with personal keys. On stainless steel telescopic feet, the rear ones advanced for rounded floor.

SKU: N/A



	W	
	350	400
L	Cod.	Cod.
	1050	T67802001
	1200	T67802002

W = Width / Profondità / Breite / Profondeur.

L = Length / Larghezza / Länge / Longueur.